

Rights reserved to alter specifications without notice.



**A WORLD OF PRODUCTS
AND SOLUTIONS.**



For contact information visit esab.com

ESAB AB, Lindholmsallén 9, Box 8004, 402 77 Gothenburg, Sweden, Phone +46 (0) 31 50 90 00

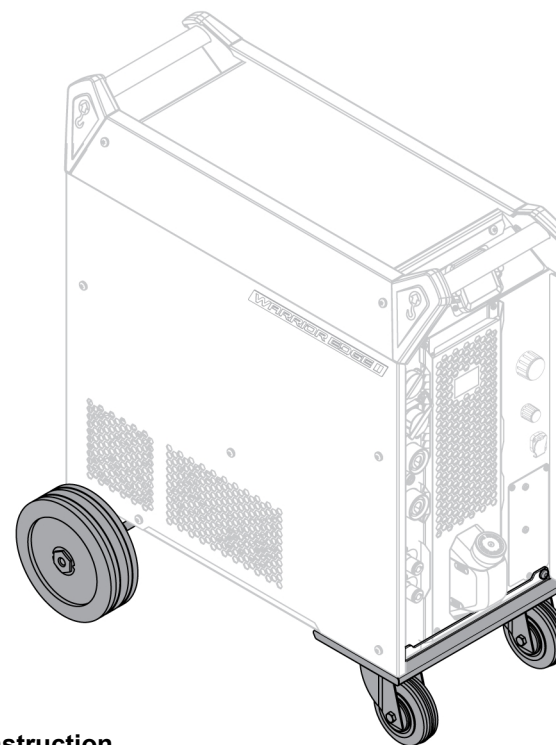
manuals.esab.com



Wheel Kit

0465 416 880

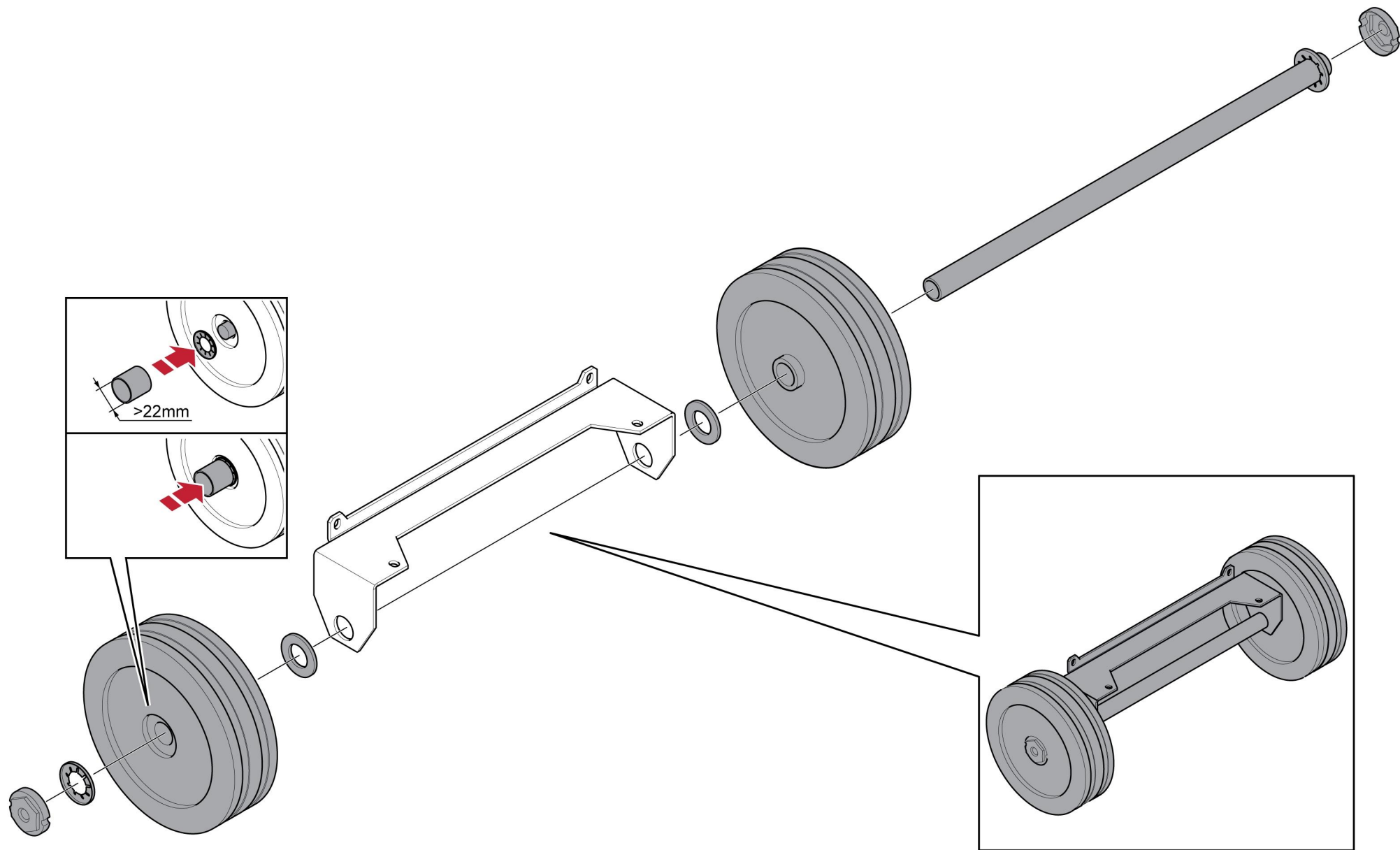
*Warrior™ 400i cc/cv, 500i cc/cv
Aristo® 500ix, Warrior Edge 500*

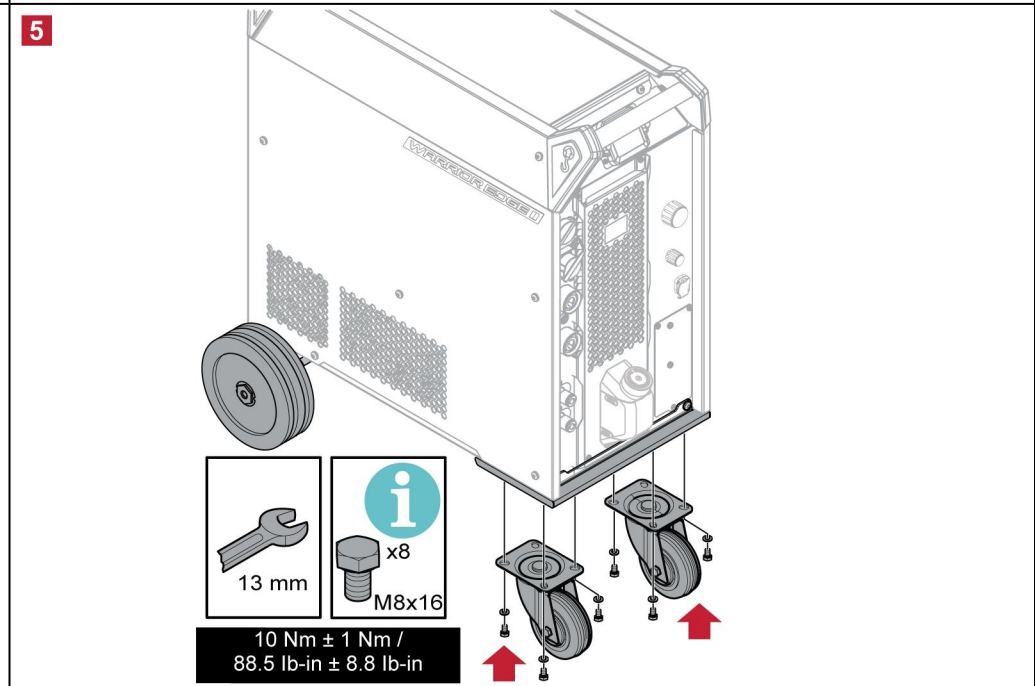
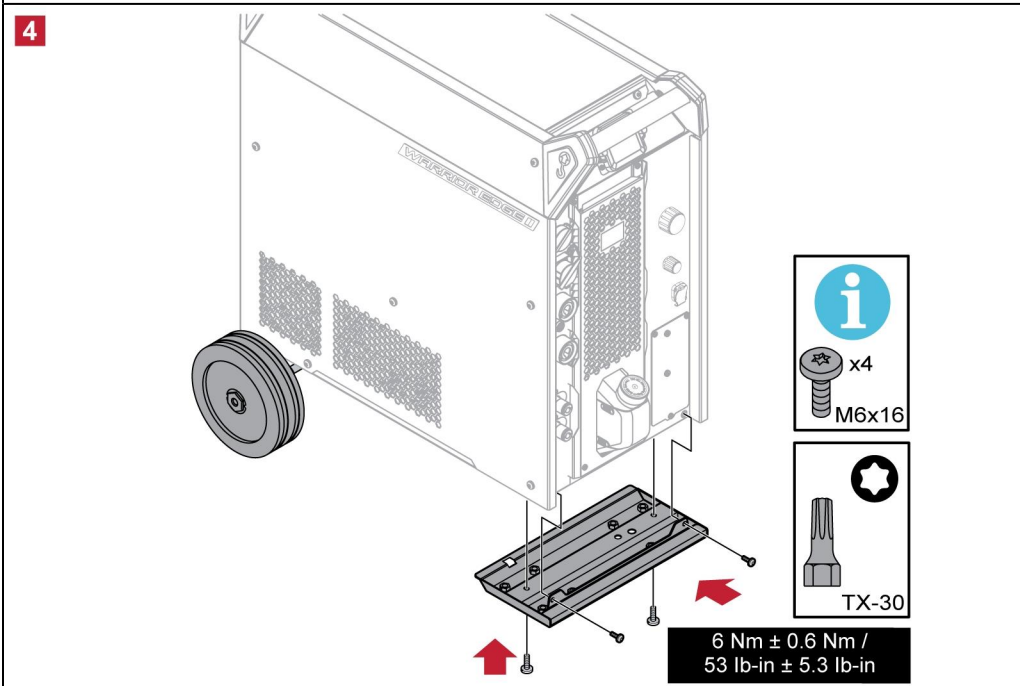
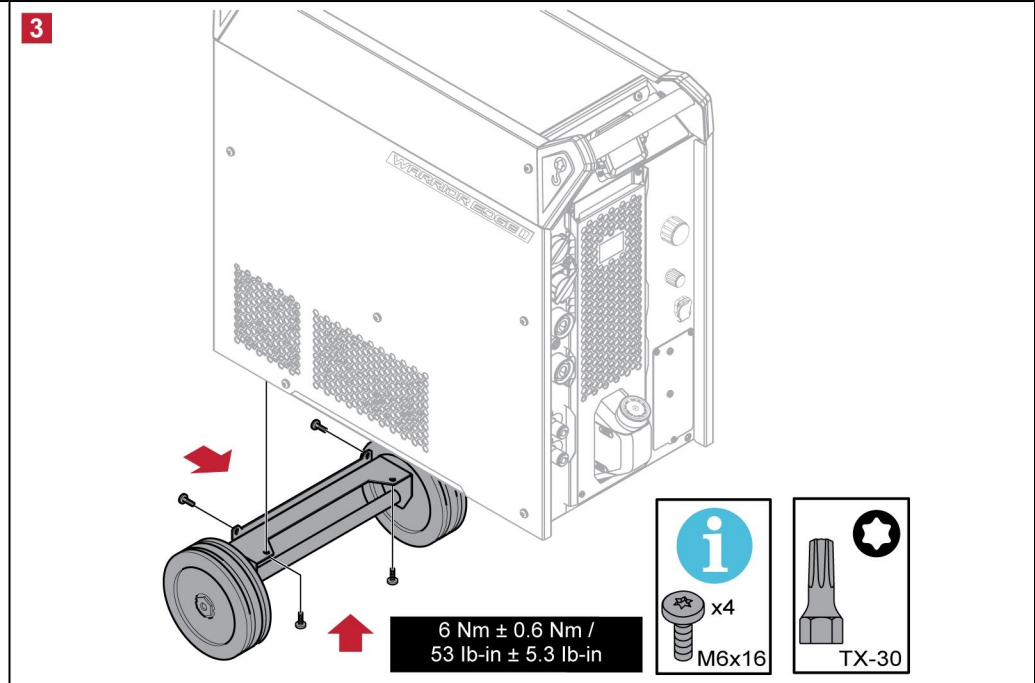
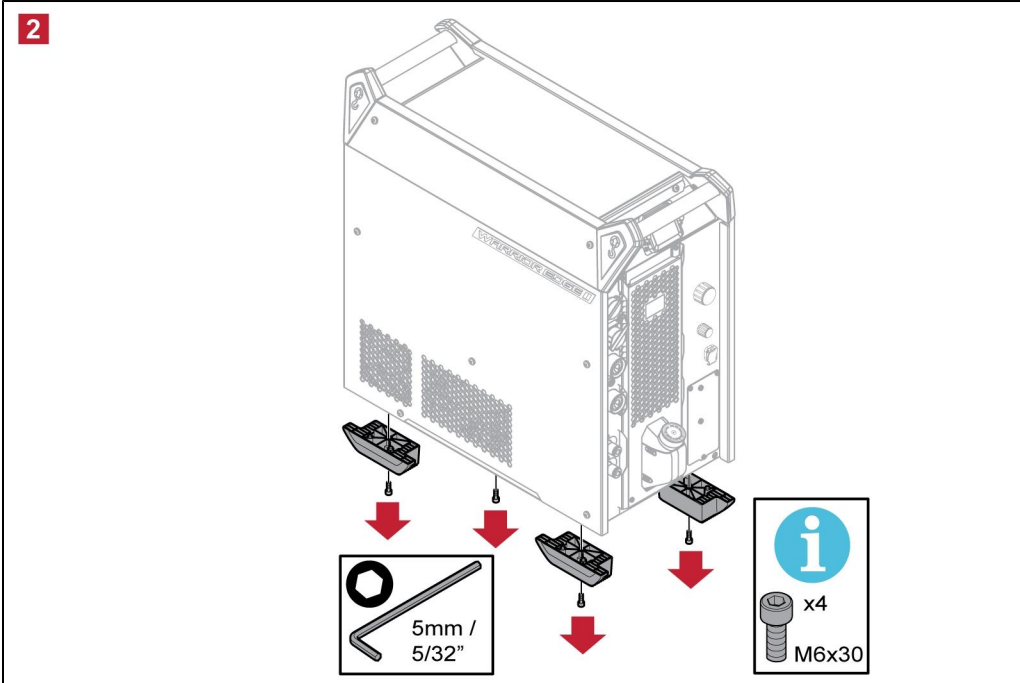


Assembly instruction

0463 360 101 GB 20230309

1





Spare parts

Item	Qty	Ordering no.	Denomination	Notes
1	1		Front wheel kit	
2	1		Wheel-kit rear	
3	1	0465 353 001	Wheel Axis	
4	2	0447 037 001	Castor wheel D100	
5	2	0349 309 725	Wheel	D175
6	8		Screw M6S M8×16	Steel 8.8
7	8		Screw MRT M6×16	Steel 8.8
8	2	0192 859 126	Locking washer	Type P D20
9	8		Washer M8.4	HV 200
10	2		Plain Washer	20-200 HV-A2K
11	1		Assembly spacer	

